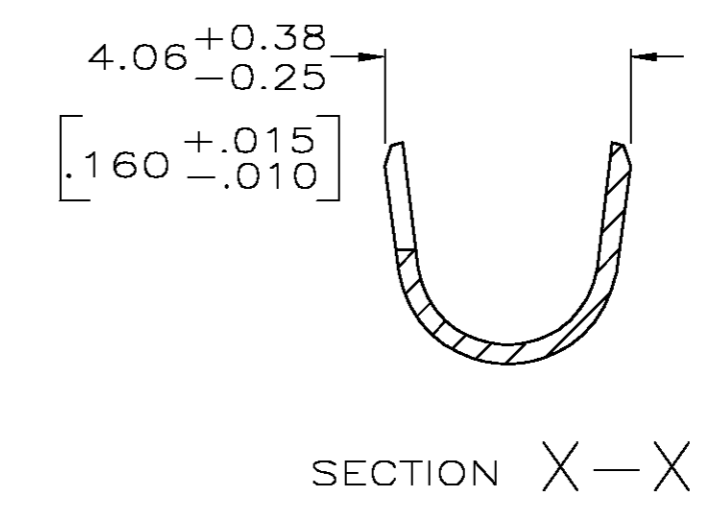
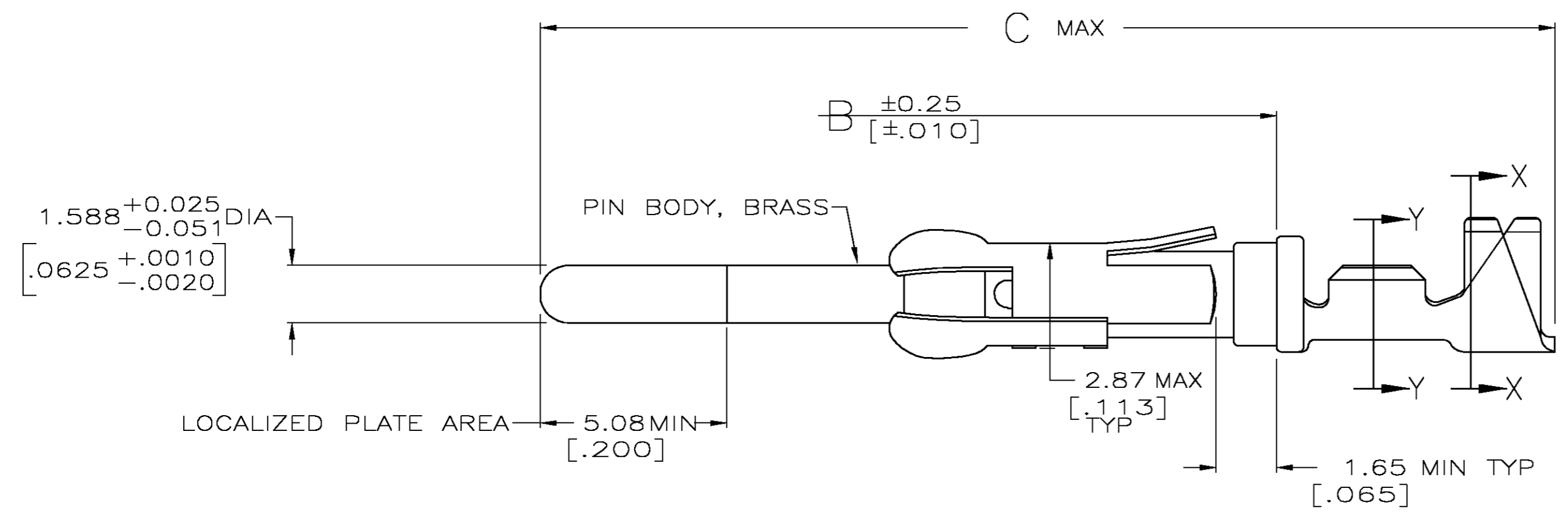
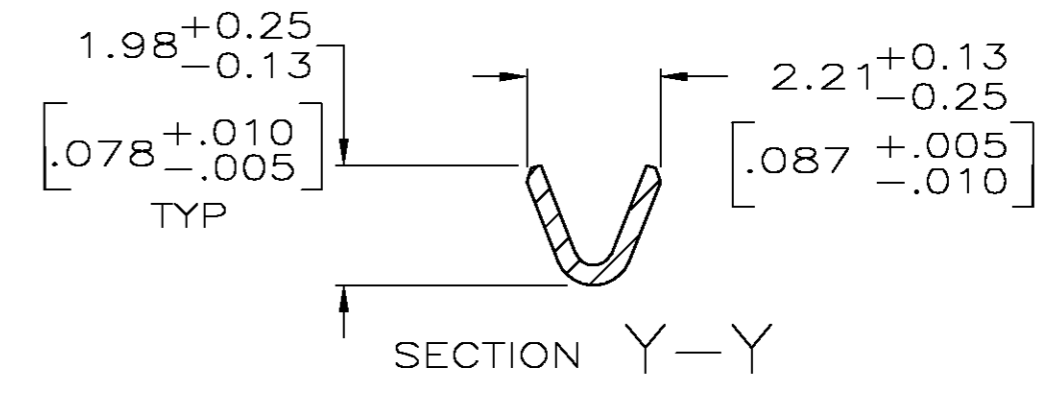
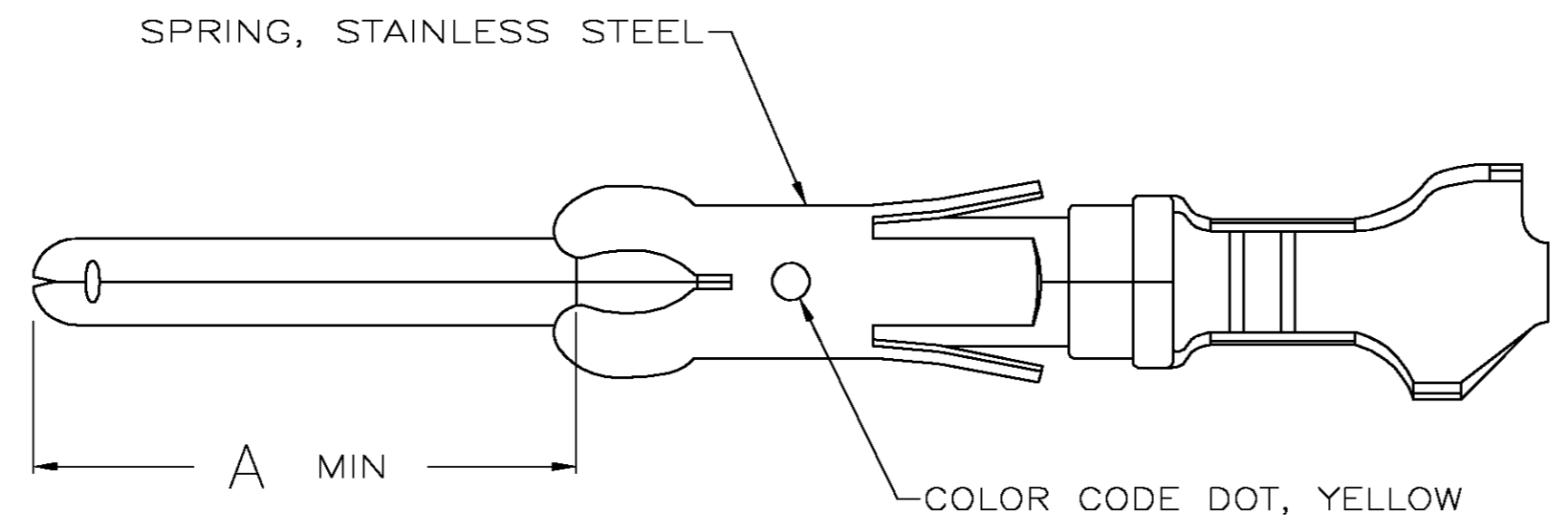


THIS DRAWING IS UNPUBLISHED. RELEASED FOR PUBLICATION  
 © COPYRIGHT BY TYCO ELECTRONICS CORPORATION. ALL RIGHTS RESERVED.

LOC	DIST	REVISIONS			
P	LTR	DESCRIPTION	DATE	DWN	APVD
FT	47	N	OG3B-0344-03	29APR03	TK GS



- 1 1.27μm [.000050] MIN TIN-LEAD OVER  
 1.27μm [.000050] MIN NICKEL.
- 2 0.76μm [.000030] MIN GOLD IN LOCALIZED  
 PLATE AREA, 0.25μm [.000010] MIN  
 GOLD ON THE REMAINDER ALL OVER  
 1.27μm [.000050] MIN NICKEL.
- 3 0.76μm [.000030] MIN GOLD IN LOCALIZED  
 PLATE AREA, GOLD FLASH ON  
 THE REMAINDER ALL OVER 1.27μm [.000050]  
 NICKEL.
- 4 0.38μm [.000015] MIN GOLD IN LOCALIZED  
 PLATE AREA, GOLD FLASH ON  
 THE REMAINDER ALL OVER 1.27μm [.000050]  
 NICKEL.
- 5. WIRE RANGE 24-20 AWG.
- 6. INSULATION RANGE 1.52[.060]-3.05[.120] DIA.
- 7 0.38μm [.000015] MIN GOLD PER MIL-G-45204 IN LOCALIZED  
 PLATE AREA, 1.27μm [.000050] MIN TIN-LEAD PER MIL-T-10727  
 FOR A LENGTH OF 5.69 [.224] MIN ON OPPOSITE END, BOTH  
 OVER 1.27μm [.000050] MIN NICKEL PER QQ-N-290 ON ENTIRE CONTACT.
- 8 1.27μm [.000050] MIN TIN OVER  
 1.27μm [.000050] MIN NICKEL.

	27.56 [1.085]	20.17 [.794]	9.91 [.390]	8	1-66564-2	66566-7
OBSOLETE	27.56 [1.085]	20.17 [.794]	9.91 [.390]	7	1-66564-1	66566-6
OBSOLETE	30.78 [1.212]	23.85 [.939]	13.59 [.535]	1	1-66564-0	66566-5
	27.56 [1.085]	20.17 [.794]	9.91 [.390]	3	66564-8	66566-4
OBSOLETE	27.56 [1.085]	20.17 [.794]	9.91 [.390]	4	-	66566-3
	27.56 [1.085]	20.17 [.794]	9.91 [.390]	1	66564-2	66566-2
	27.56 [1.085]	20.17 [.794]	9.91 [.390]	2	66564-1	66566-1
	C	B	A	FINISH	STRIP P/N REF	PART NUMBER

THIS DRAWING IS A CONTROLLED DOCUMENT.

DIMENSIONS: INCHES	TOLERANCES UNLESS OTHERWISE SPECIFIED:	DWN H MOLL 10-1-90	Tyco Electronics Corporation City, State, Zip
		CHK J.MCCLINTON 12-15-90	
		APVD A.BOULLTANNE 12-10-90	NAME PIN ASSEMBLY, LOOSE PIECE, TYPE III+
		PRODUCT SPEC	SIZE A2
		APPLICATION SPEC	CAGE CODE 00779
MATERIAL SEE CALL OUT	FINISH PIN BODY: SEE TBL	WEIGHT -	DRAWING NO C=66566
		CUSTOMER DRAWING	RESTRICTED TO -
		SCALE 8:1	SHEET 1 OF 1
			REV N